

Reference Designs for the TSV (J-Series) SMA and SMTPA Boards

OVERVIEW

This document gives the electrical schematics for the J-Series (TSV) SMA and SMTPA board products from SensL.

The electrical schematics are accurate representations of the circuitry of the SensL products and can be used by the customer for their own readout solutions, at the customer's own risk. Complete Gerber and board specification files for each product are available by request from [SensL](#).

Contents

SMA Boards	2
SMA Board CAD Files.....	2
SMA Board Electrical Schematics	3
SMTPA Boards	4
SMTPA Board CAD Files.....	4
SMTPA Board Electrical Schematics.....	5

SMA BOARDS

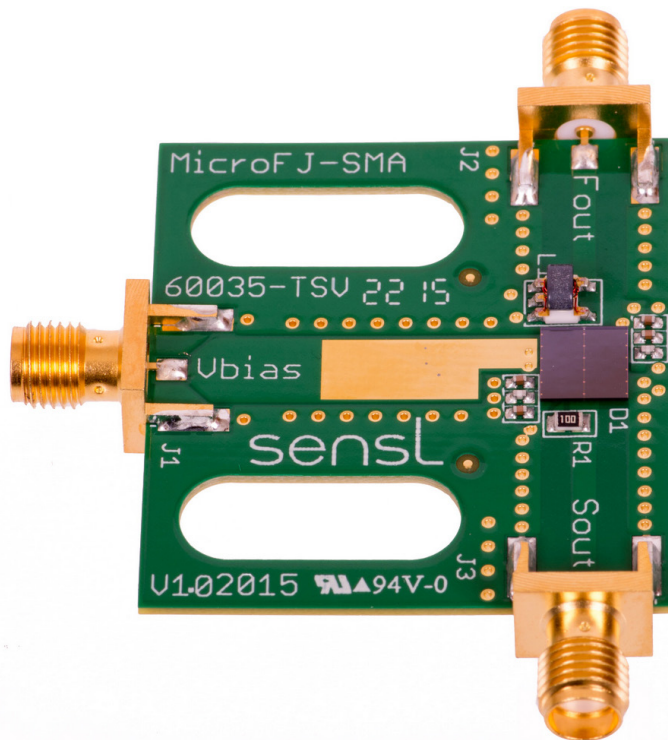


Figure 1, The SensL 6mm SMA board (MicroFJ-SMA-60035).

SMA Board CAD Files

The CAD files for the TSV SMA board products are available to download via the links below:

[MicroFJ-SMA-60035](#)

[MicroFJ-SMA-300XX](#)

SMA Board Electrical Schematics

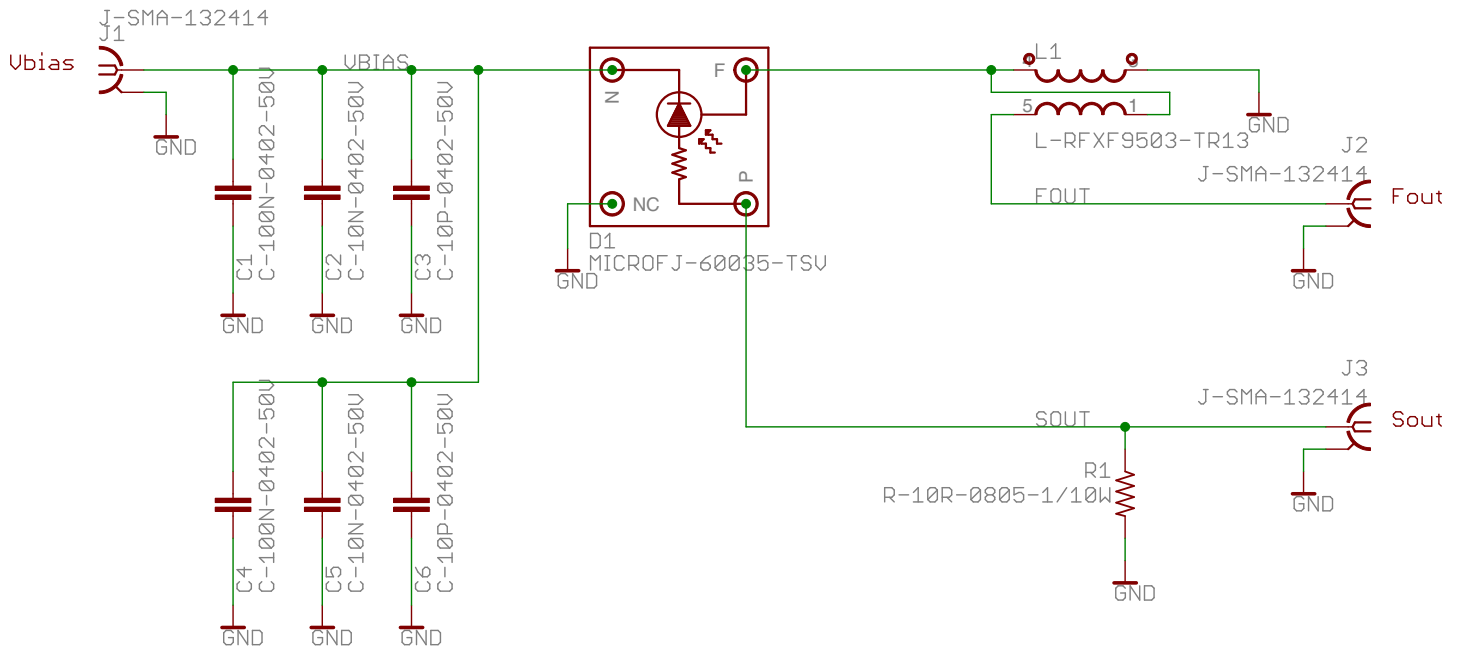


Figure 2, Board schematic for the MicroFJ-SMA-60035

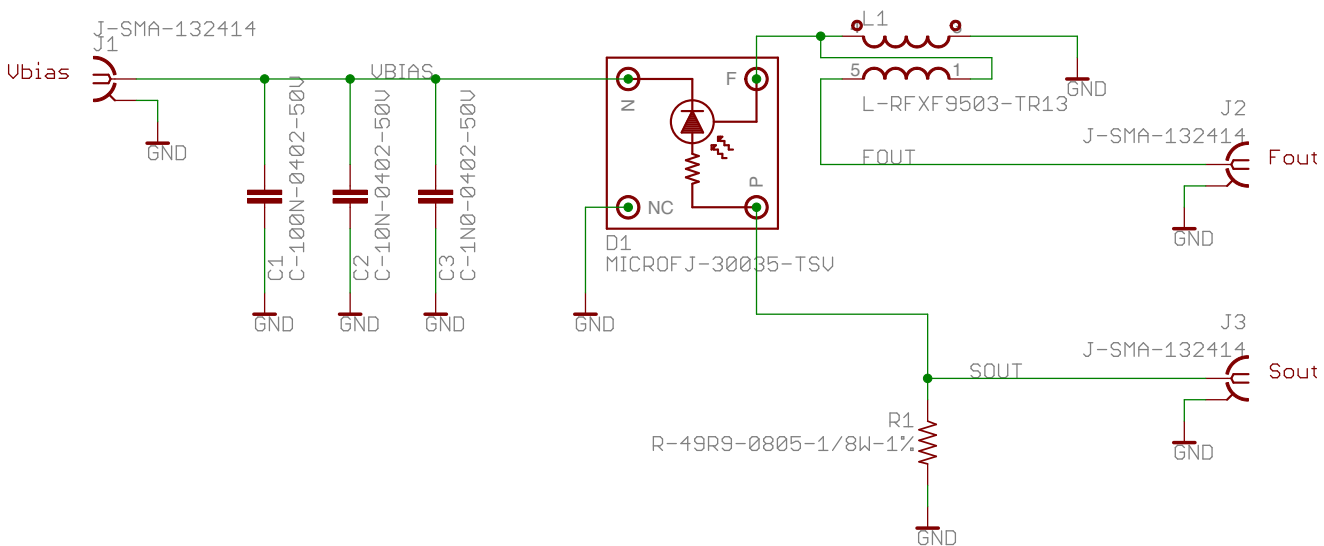


Figure 3, Board schematic for the MicroFJ-SMA-300XX

SMTPA BOARDS

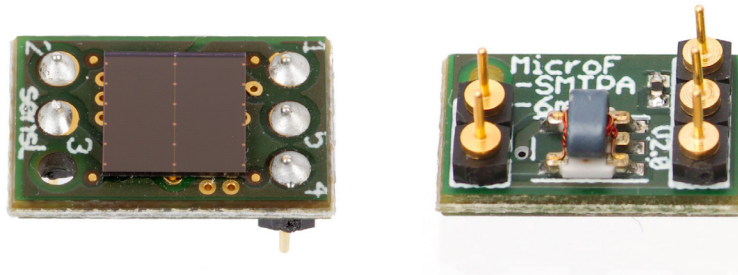


Figure 4, (Left) top view and (right) bottom view of the SensL 6mm SMTPA boards (MicroFJ-SMTPA-60035)

SMTPA Board CAD Files

The CAD files for the TSV SMTPA board products are available to download via the links below:

[MicroFJ-SMTPA-60035](#)

[MicroFJ-SMTPA-300XX](#)

SMTPA Board Electrical Schematics

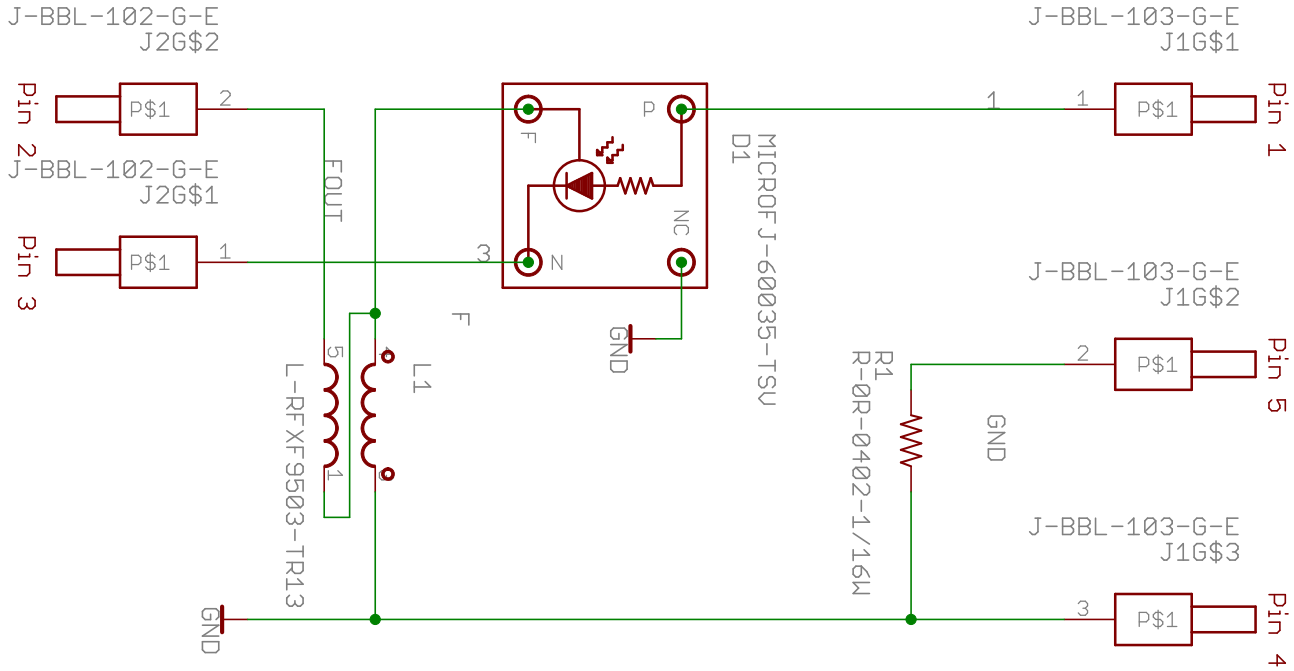


Figure 5, Board schematic for the MicroFJ-SMTPA-60035

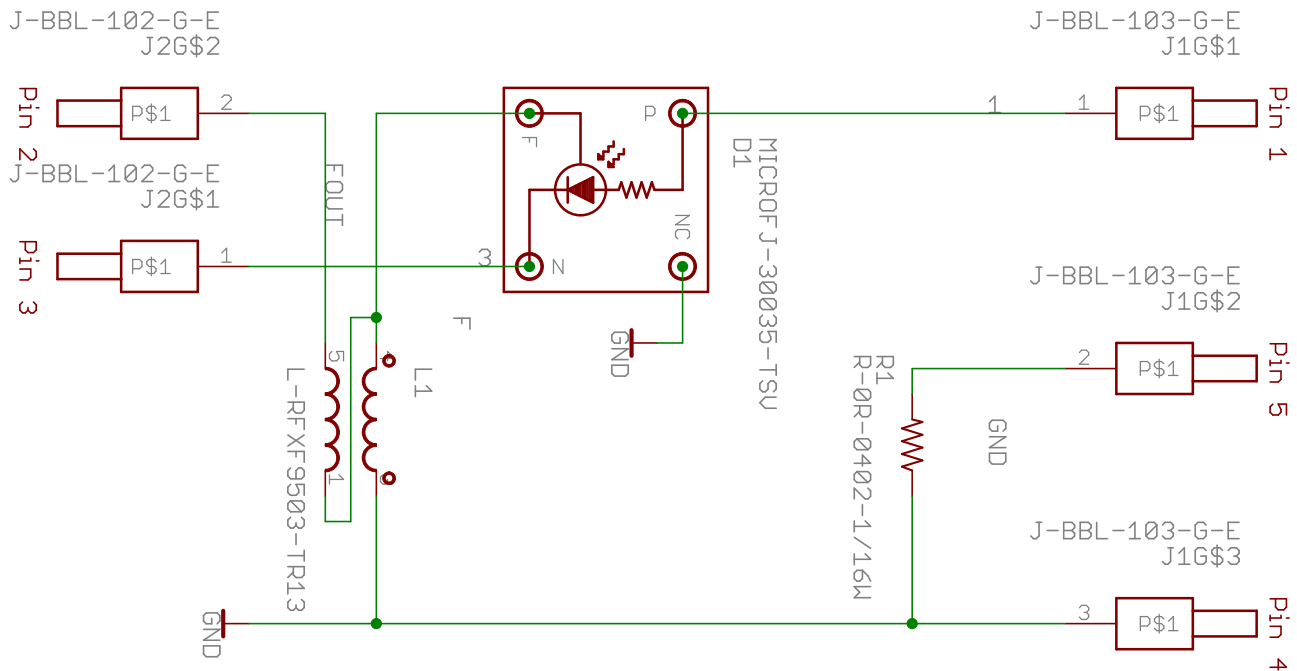


Figure 6, Board schematic for the MicroFJ-SMTPA-300XX