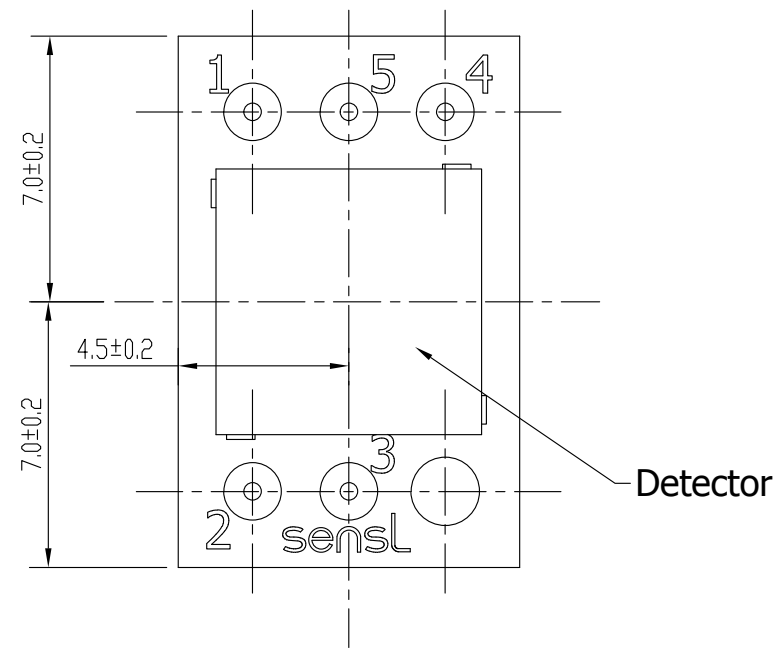
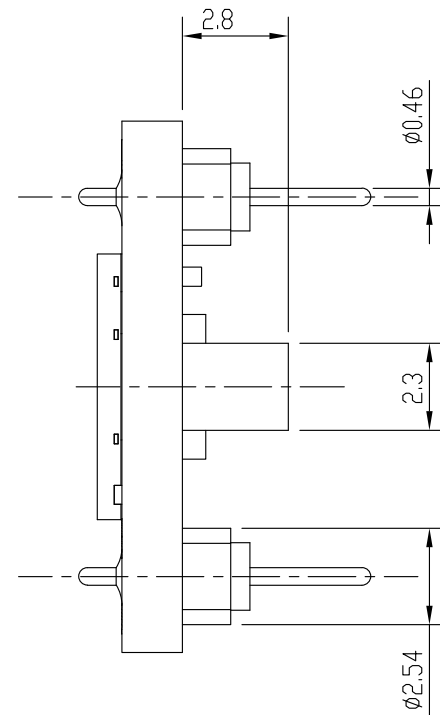


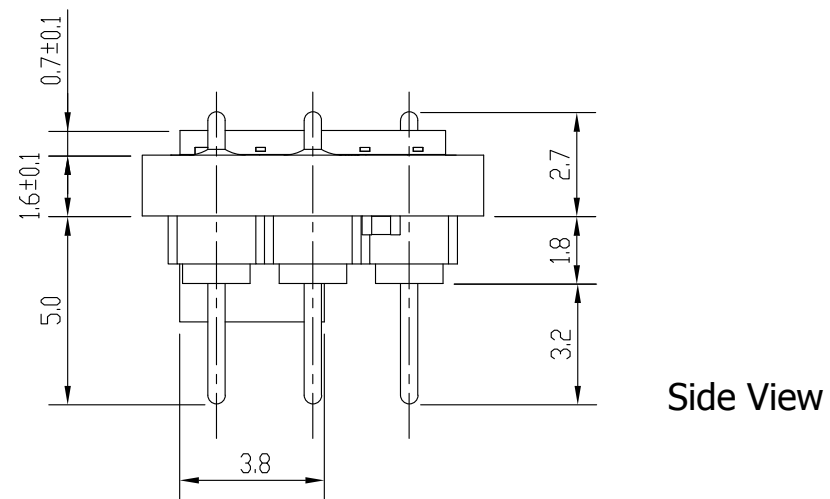
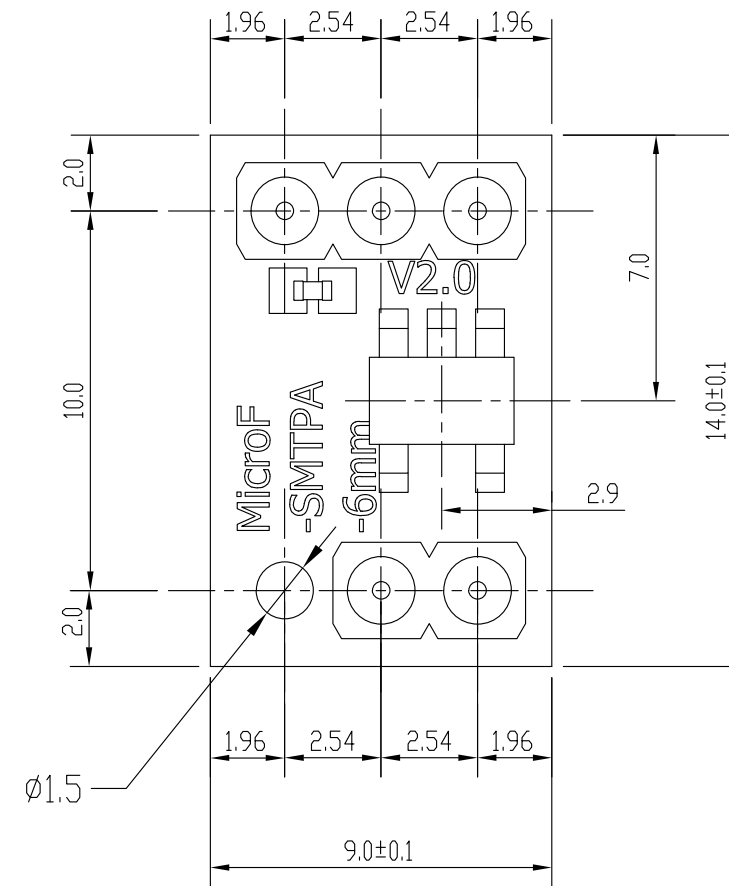
Top View



Side View

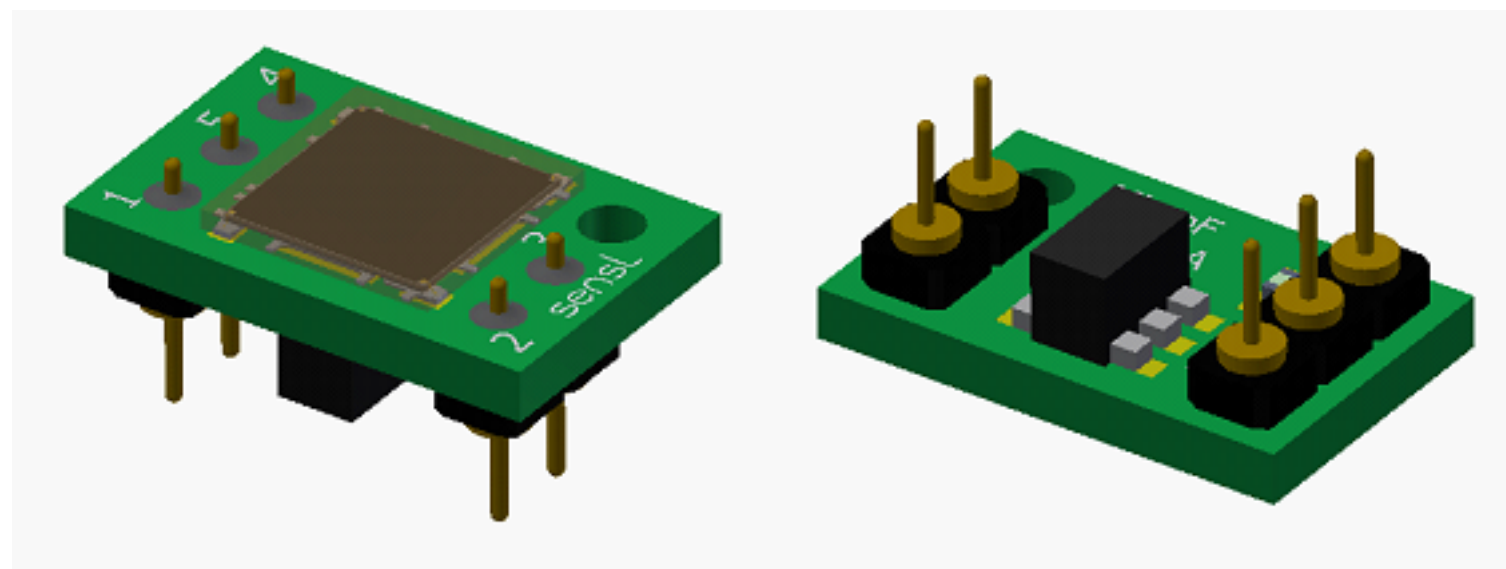


Bottom View



Side View

Pin Assignments	
Pin #	C Series
1	Anode
2	Fast Output
3	Cathode
4	PCB Ground
5	Jumper to PCB Ground (0 Ohm)



Top View

Bottom View

DATE	22 MAR 2016	REVISION	B	SCALE	5 : 1
SensL Technologies Ltd					Sheet
www.sensl.com					1 of 1
DWG. NO:	SND0177	DO NOT SCALE	ALL DIMENSIONS IN MM		
TITLE:					
MicroFC-SMTPA-600xx					
PROJECTION:					