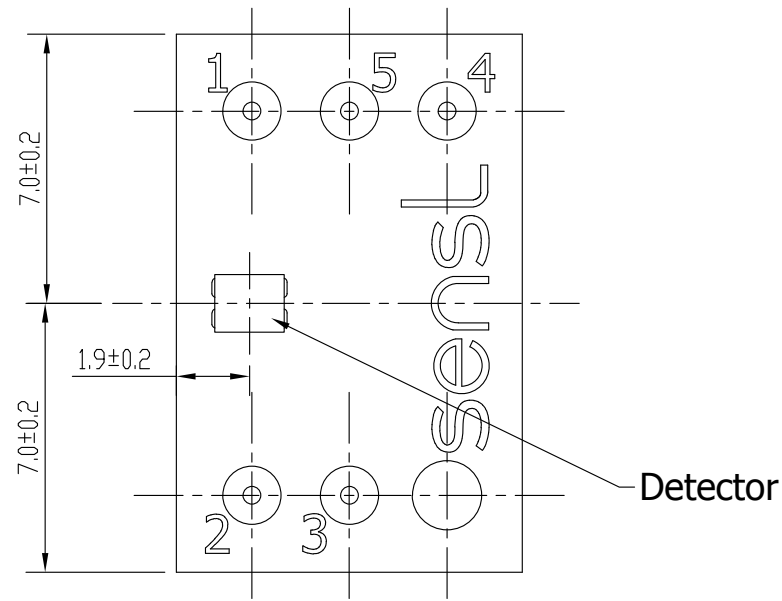
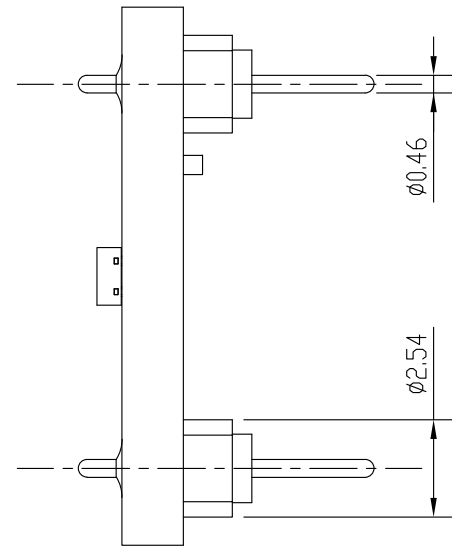


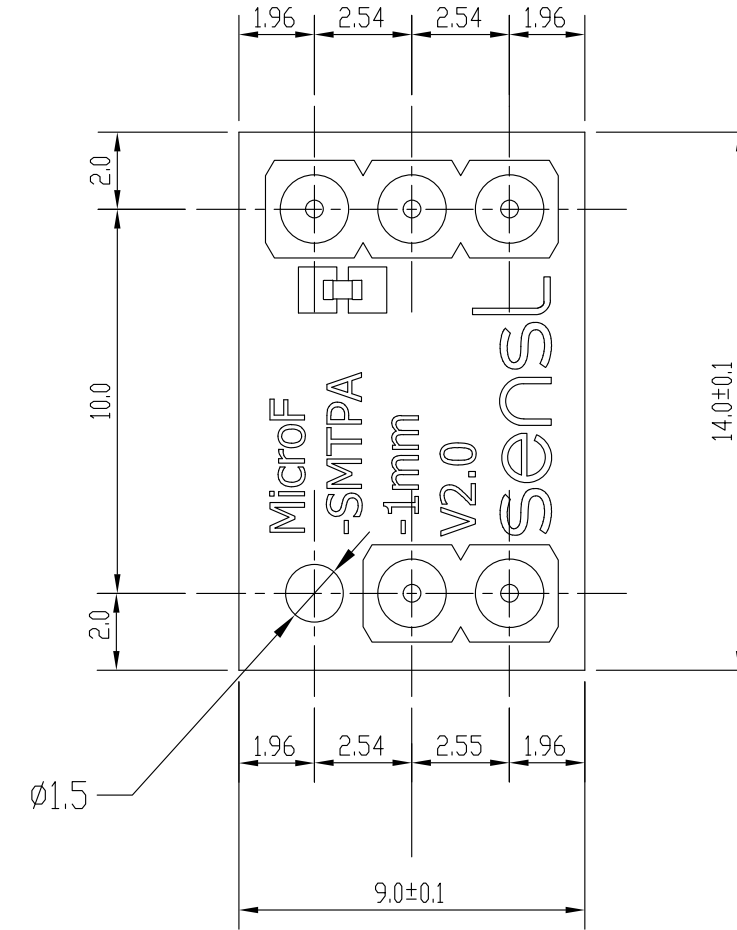
Top View



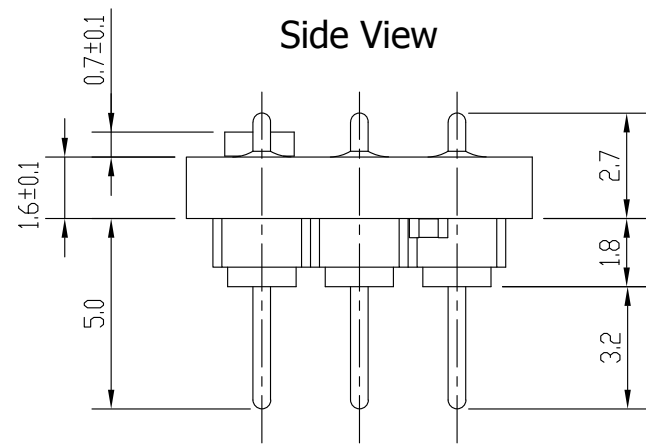
Side View



Bottom View

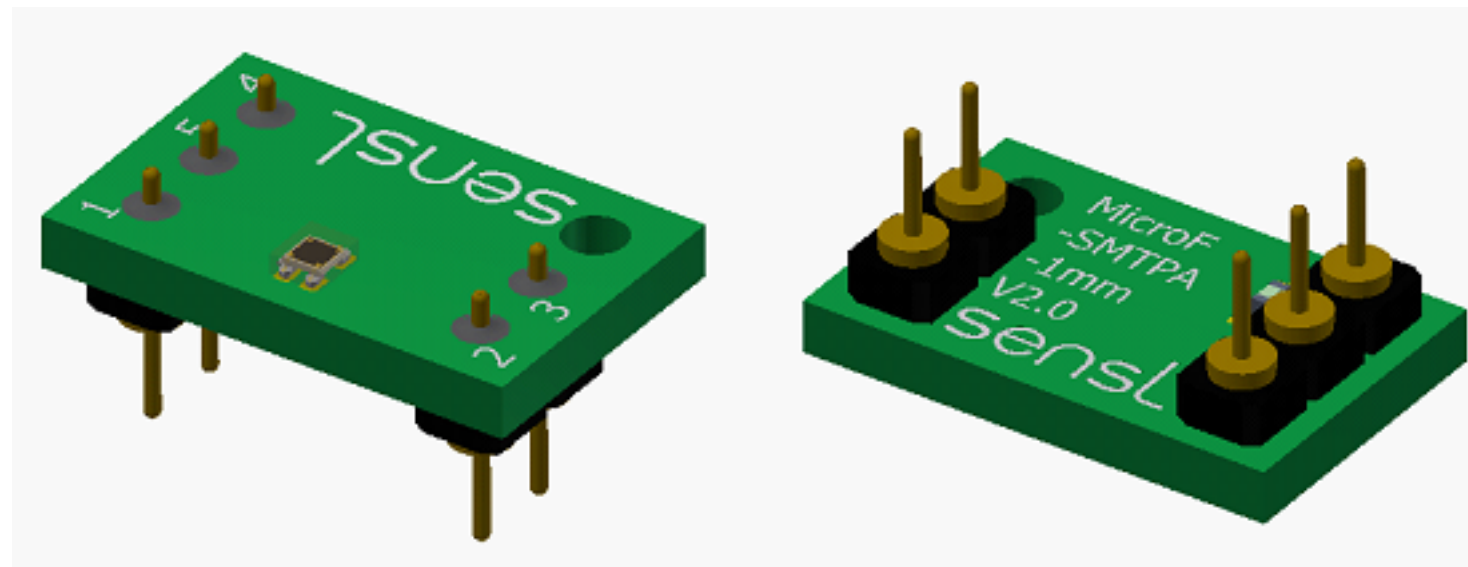


Side View



Pin Assignments

Pin #	C Series
1	Anode
2	Fast Output
3	Cathode
4	PCB Ground
5	Jumper to PCB Ground (0 Ohm)



Top View

Bottom View

DATE | 21 MAR 2016 | REVISION | B | SCALE: 5 : 1

SensL Technologies Ltd | www.sensl.com | Sheet 1 of 1

DWG. NO: | SND0175 | DO NOT SCALE | ALL DIMENSIONS IN MM

TITLE: |

MicroFC-SMTPA-100xx

