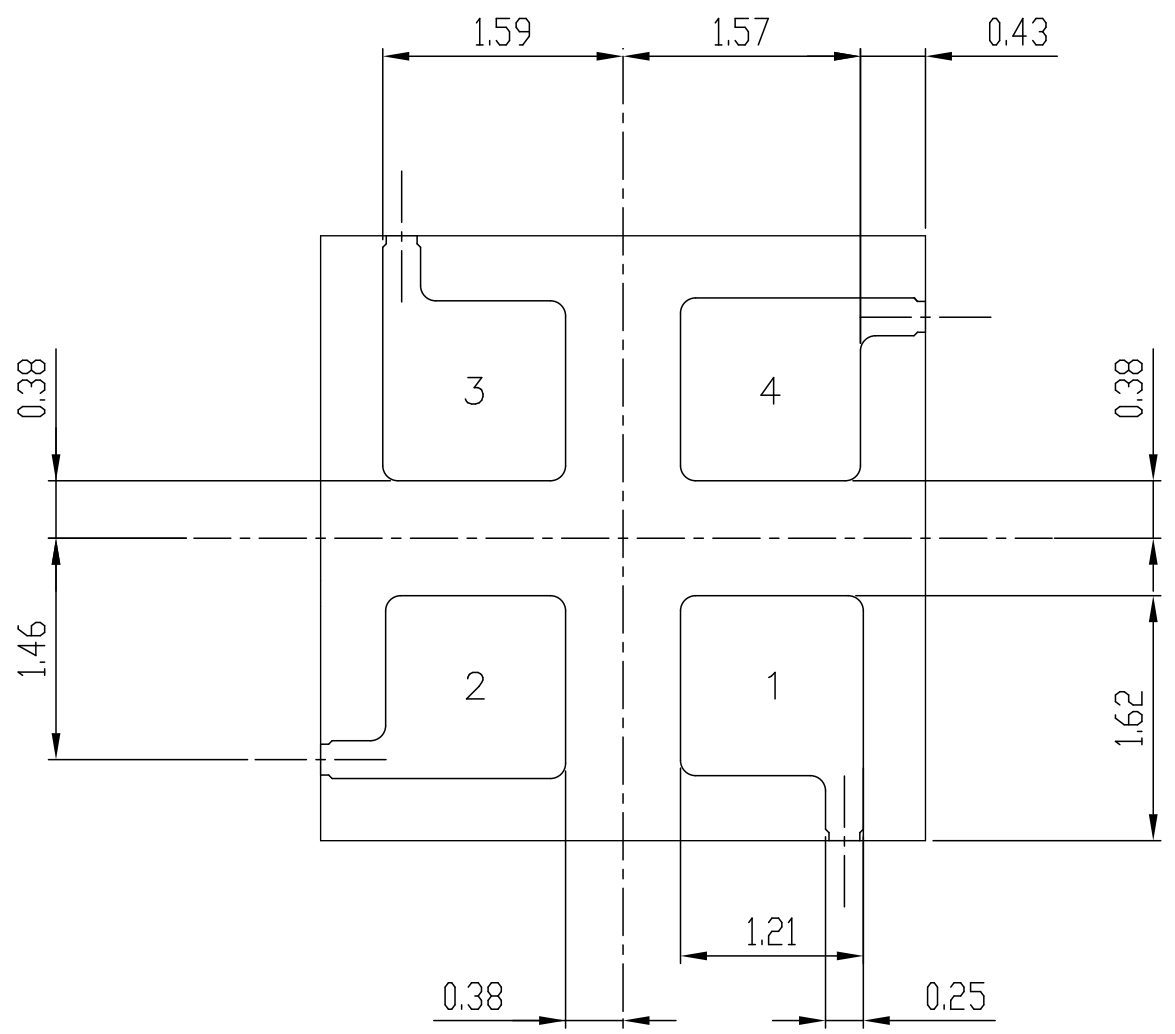


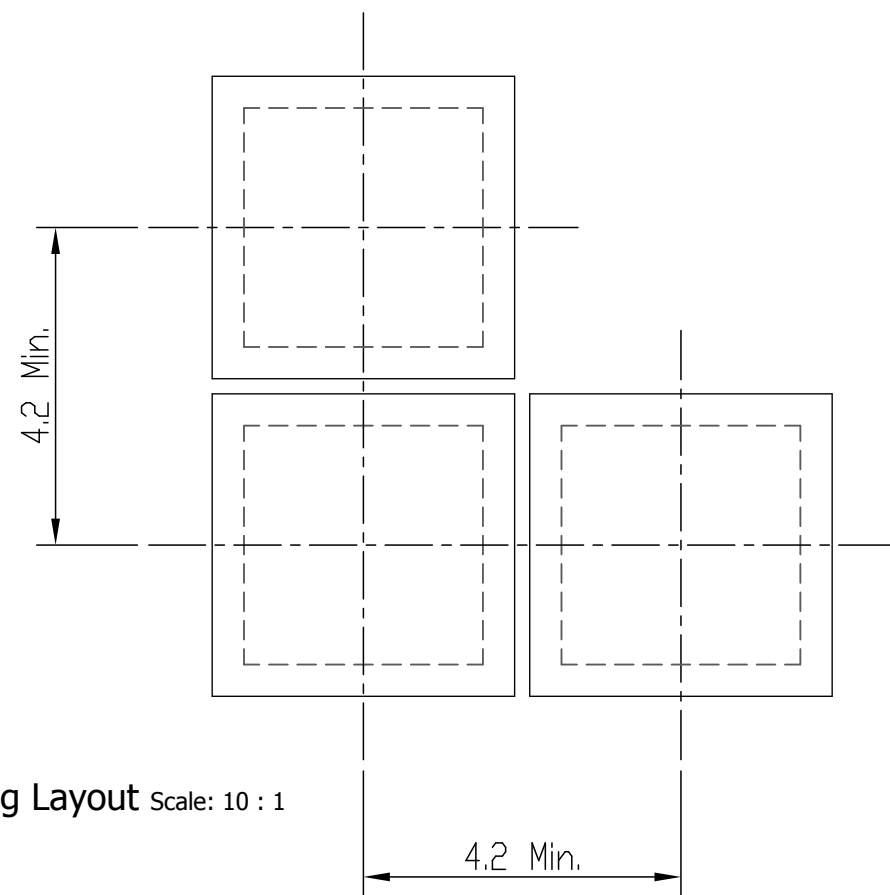
Side View
Scale: 20 : 1

Pin Assignments	
Pin #	Function
1	Anode
2	Fast Output
3	Cathode
4	NC

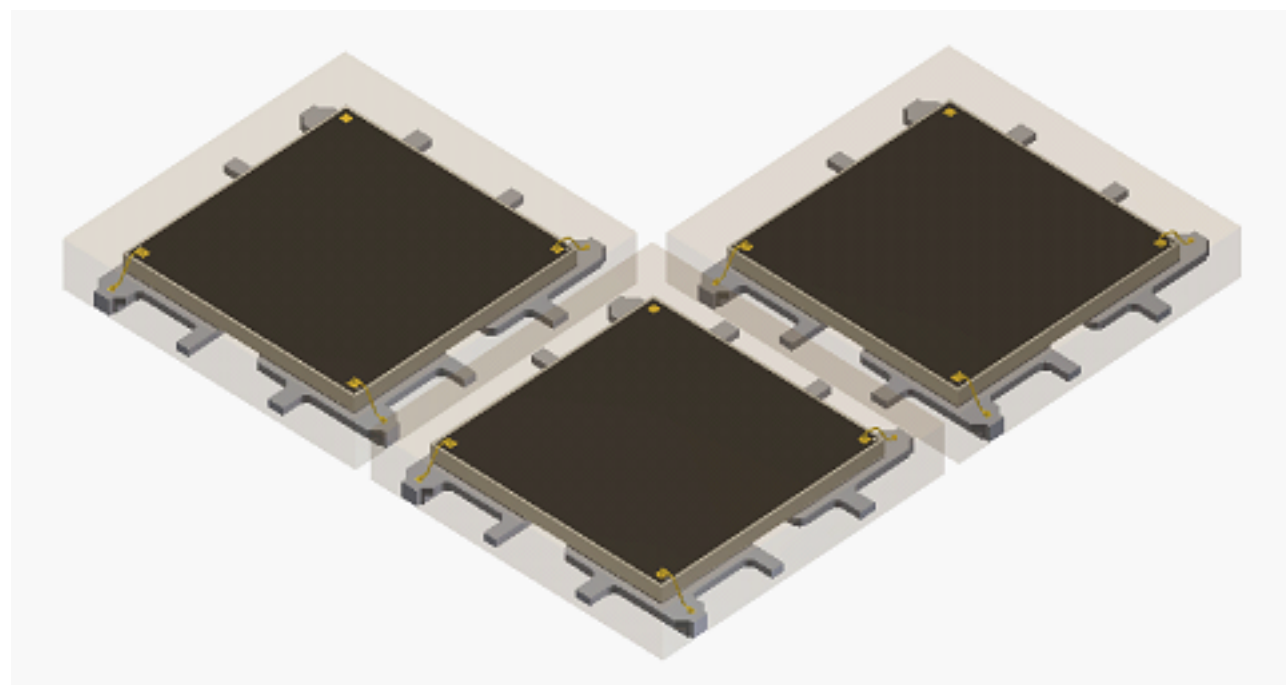


Bottom View
Scale: 20 : 1

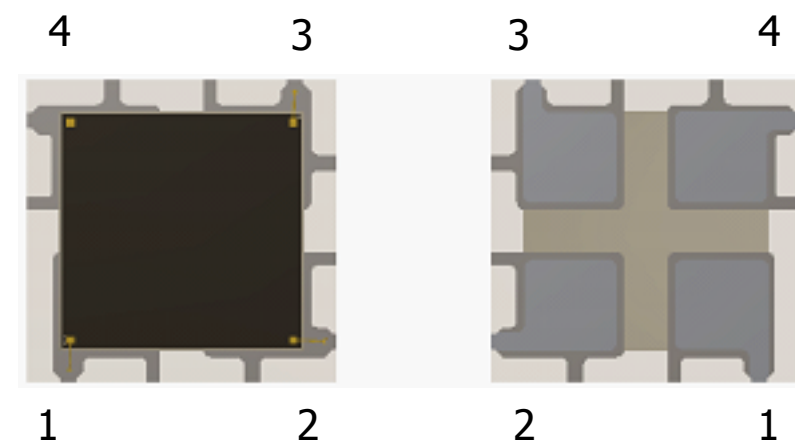
DATE	10 Dec 15	REVISION	A	SCALE	20 : 1
SensL Technologies Ltd www.sensl.com					Sheet 2 of 4
DWG. NO:	SND0168	DO NOT SCALE ALL DIMENSIONS IN MM			
TITLE: MicroFC-300xx-SMT-A1					
PROJECTION:					



NOTE: Alignment and placement tolerances depend on the accuracy of the equipment used in the assembly process.

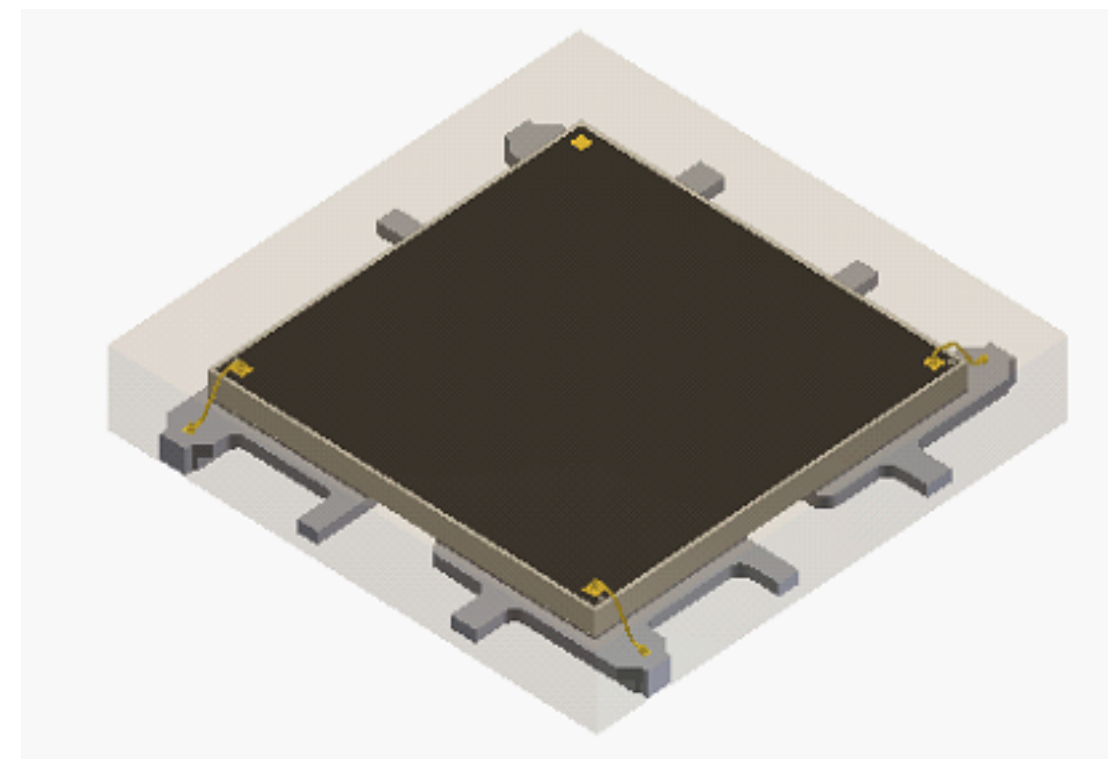


Tiling Options

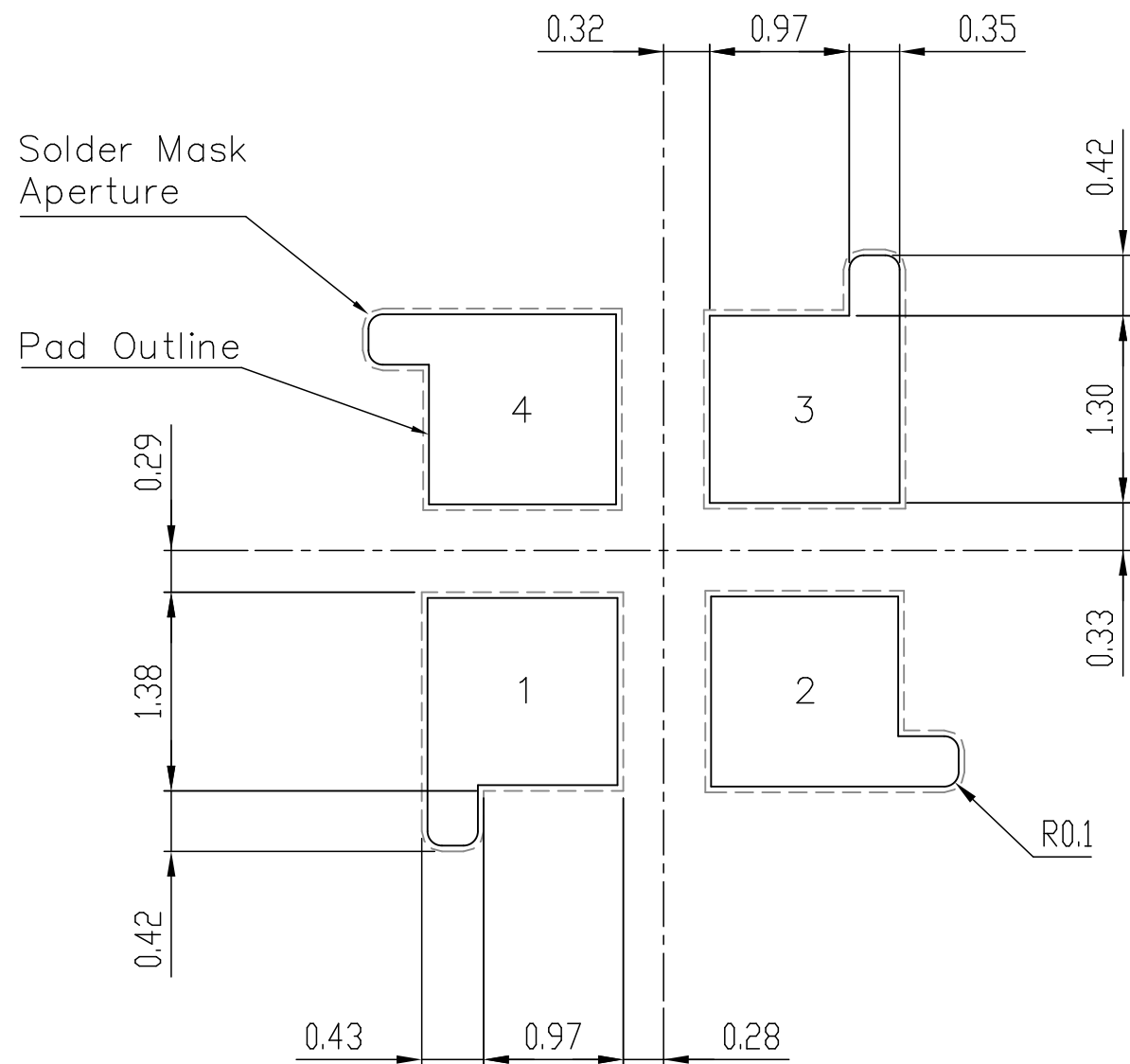


Top View Scale: 10 : 1

Bottom View Scale: 10 : 1



DATE	10 Dec 15	REVISION	A	SCALE	20 : 1
SensL Technologies Ltd					Sheet
www.sensl.com					3 of 4
DWG. NO:	SND0168	DO NOT SCALE	ALL DIMENSIONS IN MM		
TITLE:					
MicroFC-300xx-SMT-A1					
PROJECTION:					



Recommended PCB Solder Footprint

Scale: 20 : 1

NOTE: No Connect (NC) pin 4 should be soldered to PCB, this pin can be connected to ground but it can also be left floating without affecting the dark noise.

DATE	10 Dec 15	REVISION	A	SCALE	20 : 1
SensL Technologies Ltd www.sensl.com					Sheet 4 of 4
DWG. NO:	SND0168	DO NOT SCALE	ALL DIMENSIONS IN MM		
TITLE: MicroFC-300xx-SMT-A1					
PROJECTION:					