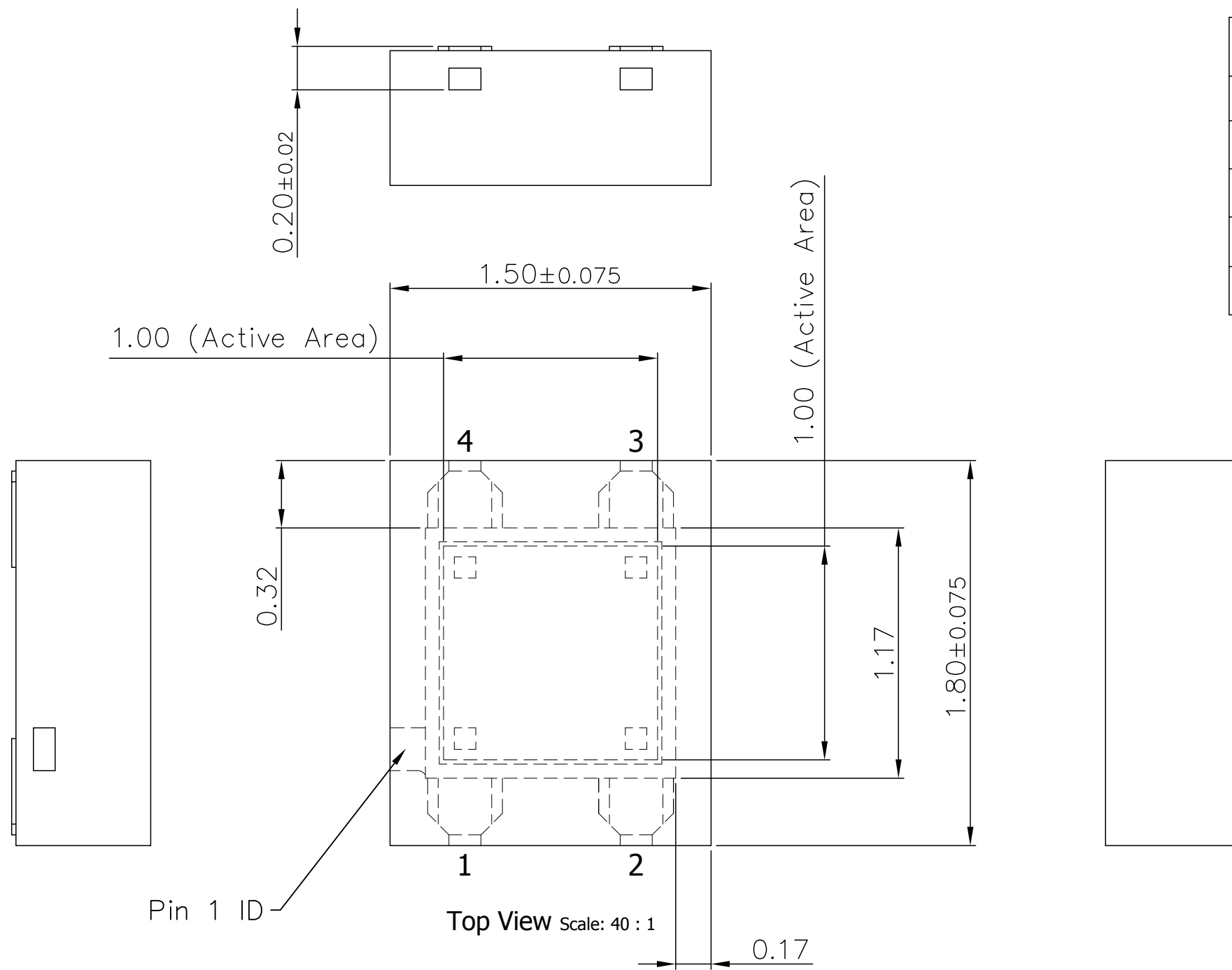


Pin Assignments

Pin #	Function
1	Anode
2	Fast Output
3	Cathode
4	NC



1.00 (Active Area)

0.32

0.20±0.02

1.50±0.075

1.00 (Active Area)

1.17

1.80±0.075

Pin 1 ID

Top View Scale: 40 : 1

0.17

Seating Plane

Side View Scale: 40 : 1

0.02^{+0.03}_{-0.02}

0.65±0.05

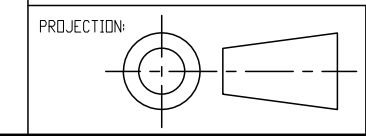
REV A	09 Dec 15	Initial version specific to C Series		
SCALE:	40 : 1	NAME	SIGNATURE	DATE
REVISION	A	APPV'D	B. McGarvey	15-12-15
DRAWN	SBe	APPV'D	D. Herbert	15-12-15

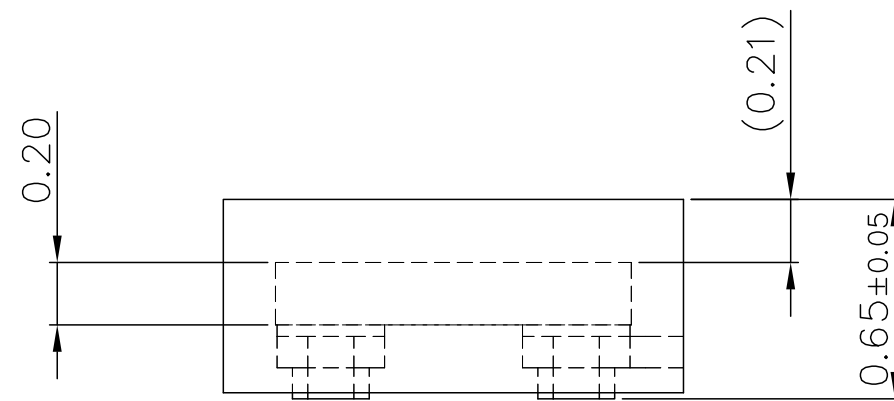
SensL Technologies Ltd
www.sensl.com

Sheet
1 of 4

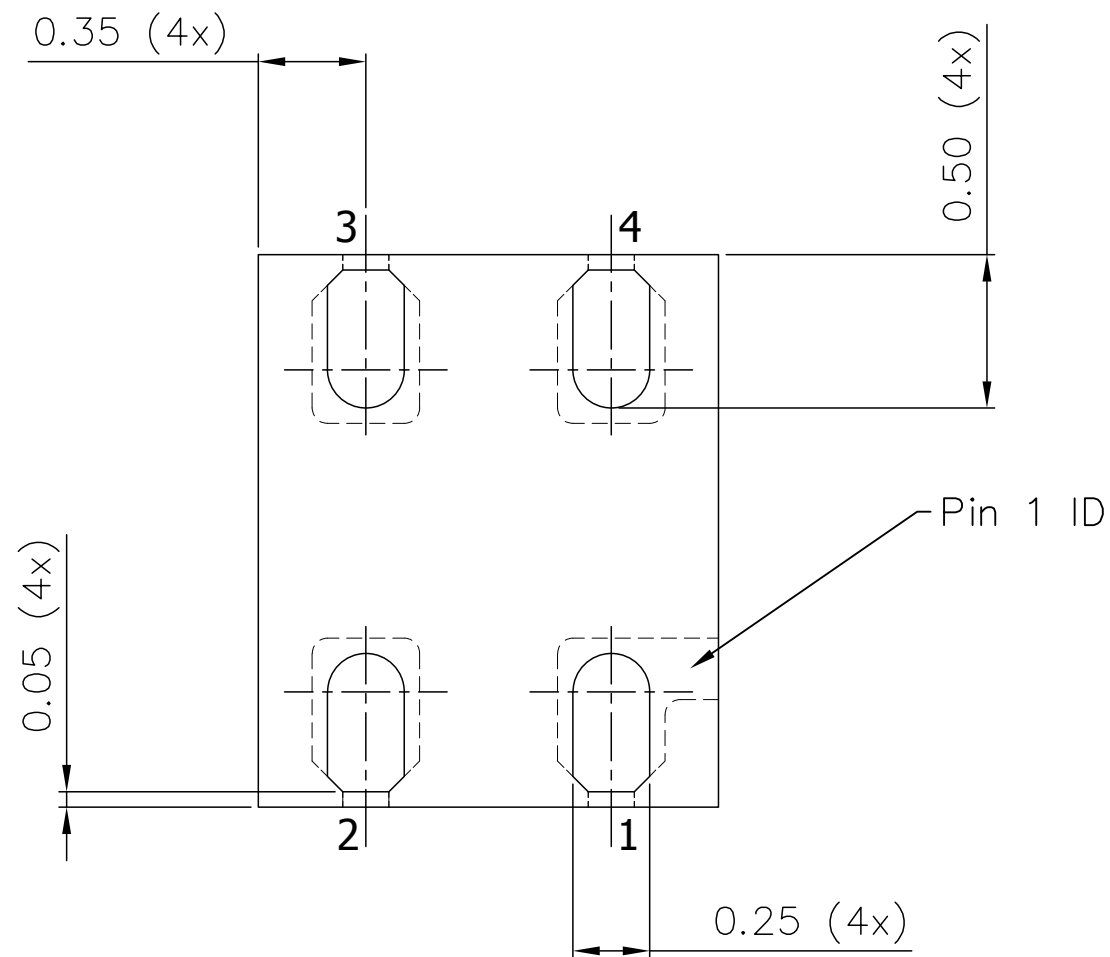
DWG. NO: SND0166 DO NOT SCALE ALL DIMENSIONS IN MM

TITLE:
MicroFC-100xx-SMT-A1





Side View Scale: 40 : 1



Bottom View Scale: 40 : 1

Pin Assignments

Pin #	Function
1	Anode
2	Fast Output
3	Cathode
4	NC

SCALE: 40 : 1	NAME	SIGNATURE	DATE
REVISION A	APPV'D B. McGarvey		15-12-15
DRAWN SBe	APPV'D D. Herbert		15-12-15

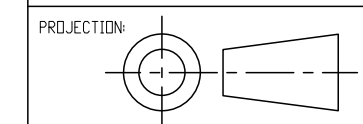
SensL Technologies Ltd
www.sensl.com

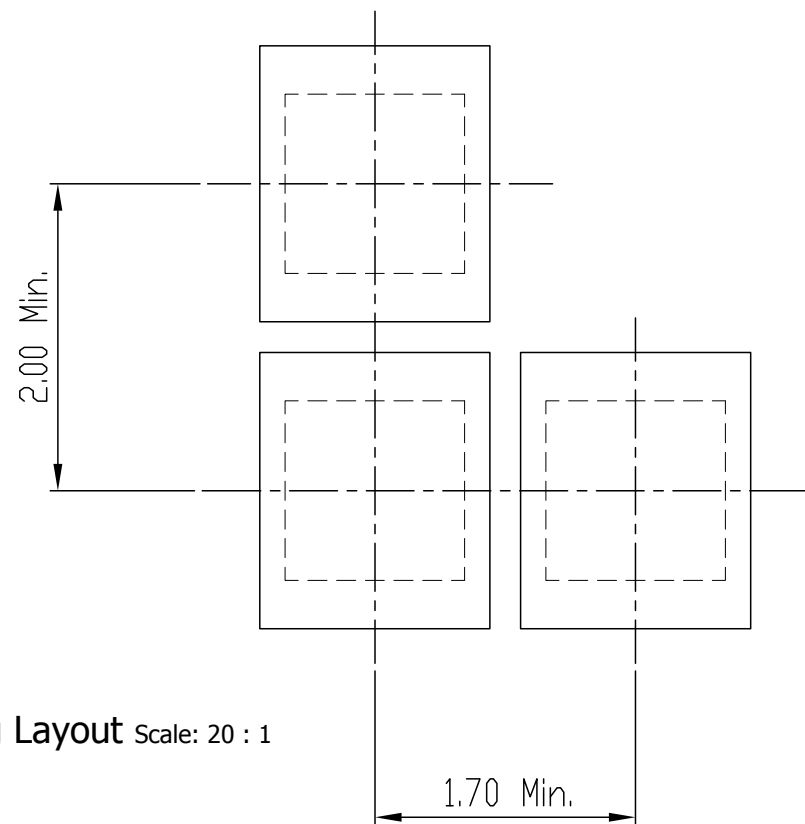
Sheet
2 of 4

DWG. NO: SND0166 DO NOT SCALE ALL DIMENSIONS IN MM

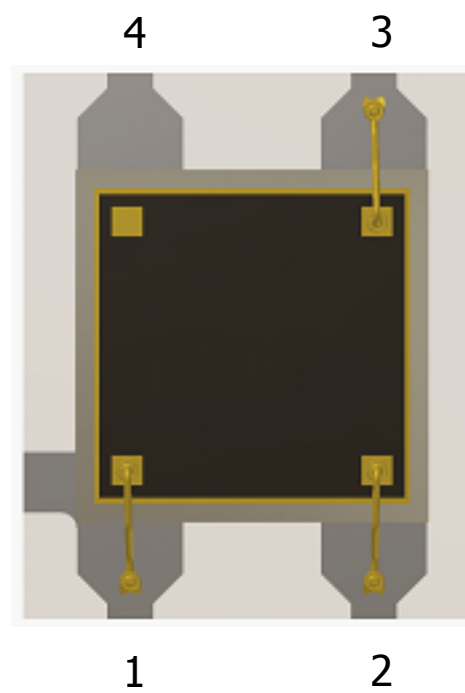
TITLE:

MicroFC-100xx-SMT-A1

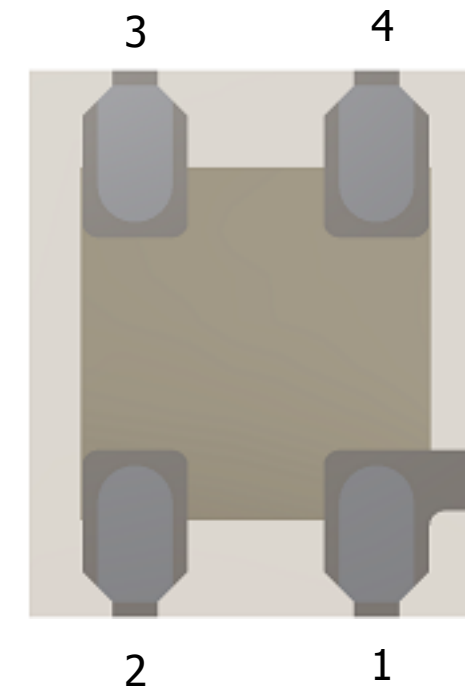




Tiling Layout Scale: 20 : 1

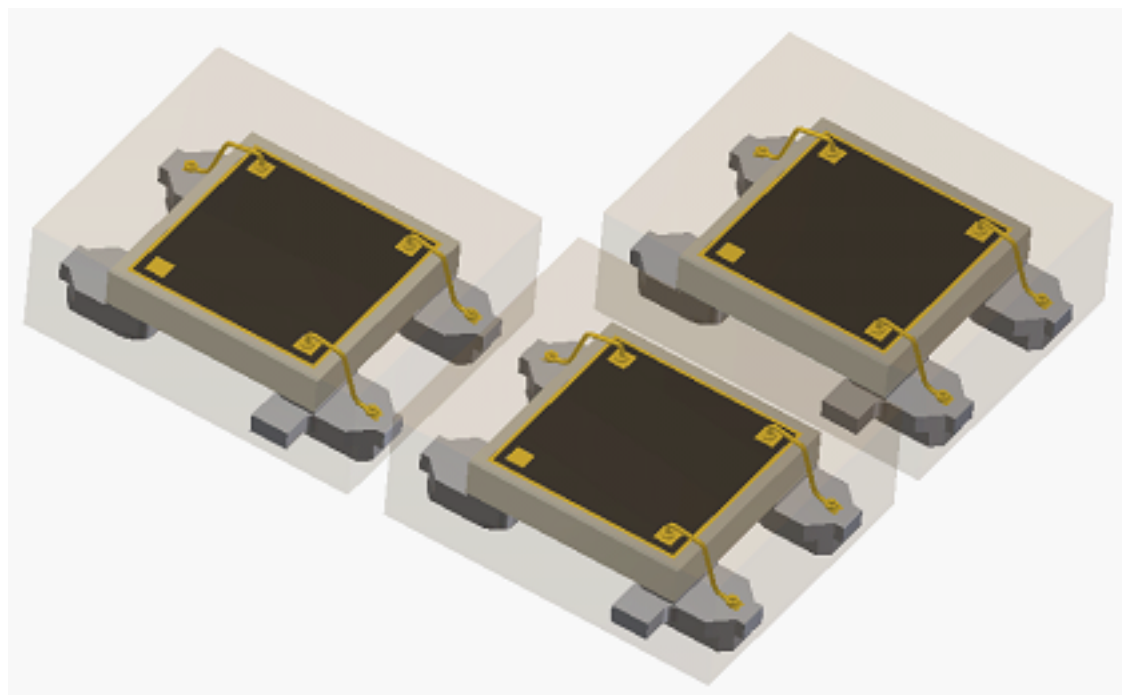


Top View Scale: 40 : 1

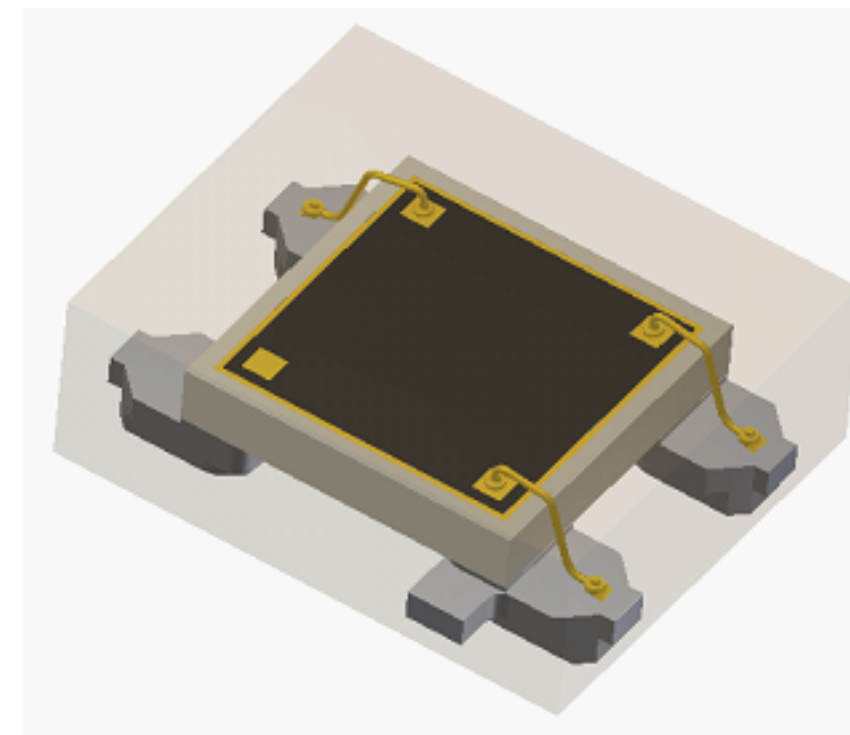


Bottom View Scale: 40 : 1

NOTE: Alignment and placement tolerances depend on the accuracy of the equipment used in the assembly process.



Tiling Options



SCALE: 40 : 1		NAME	SIGNATURE	DATE
REVISION A	APPV'D	B. McGarvey		15-12-15
DRAWN	SBe	APPV'D	D. Herbert	15-12-15

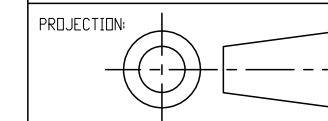
SensL Technologies Ltd
www.sensl.com

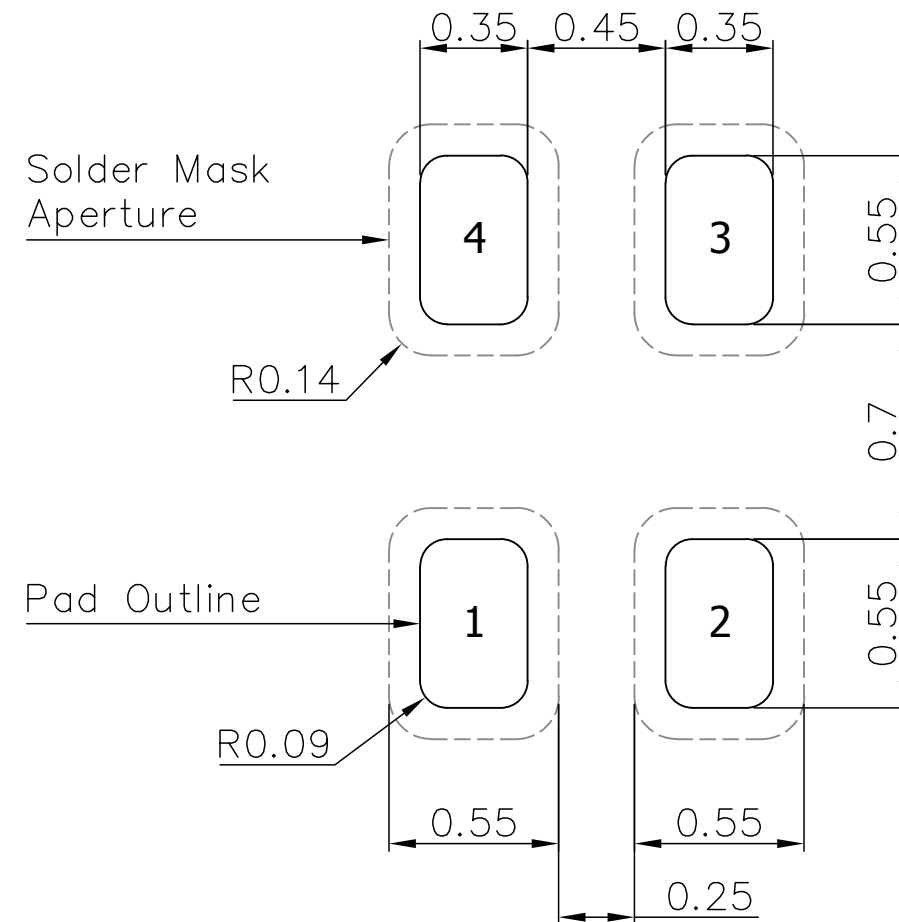
Sheet
3 of 4

DWG. NO: SND0166 DO NOT SCALE ALL DIMENSIONS IN MM

TITLE:

MicroFC-100xx-SMT-A1





Recommended PCB Solder Footprint
Scale: 40 : 1

NOTE: No Connect (NC) pin 4 should be soldered to PCB, this pin can be connected to ground but it can also be left floating without affecting the dark noise.

SCALE: 40 : 1		NAME	SIGNATURE	DATE
REVISION A	APPV'D	B. McGarvey		15-12-15
DRAWN	SBe	APPV'D	D. Herbert	15-12-15
SensL Technologies Ltd www.sensl.com				Sheet 4 of 4
DWG. NO:	SND0166	DO NOT SCALE	ALL DIMENSIONS IN MM	
TITLE: MicroFC-100xx-SMT-A1				
PROJECTION:				